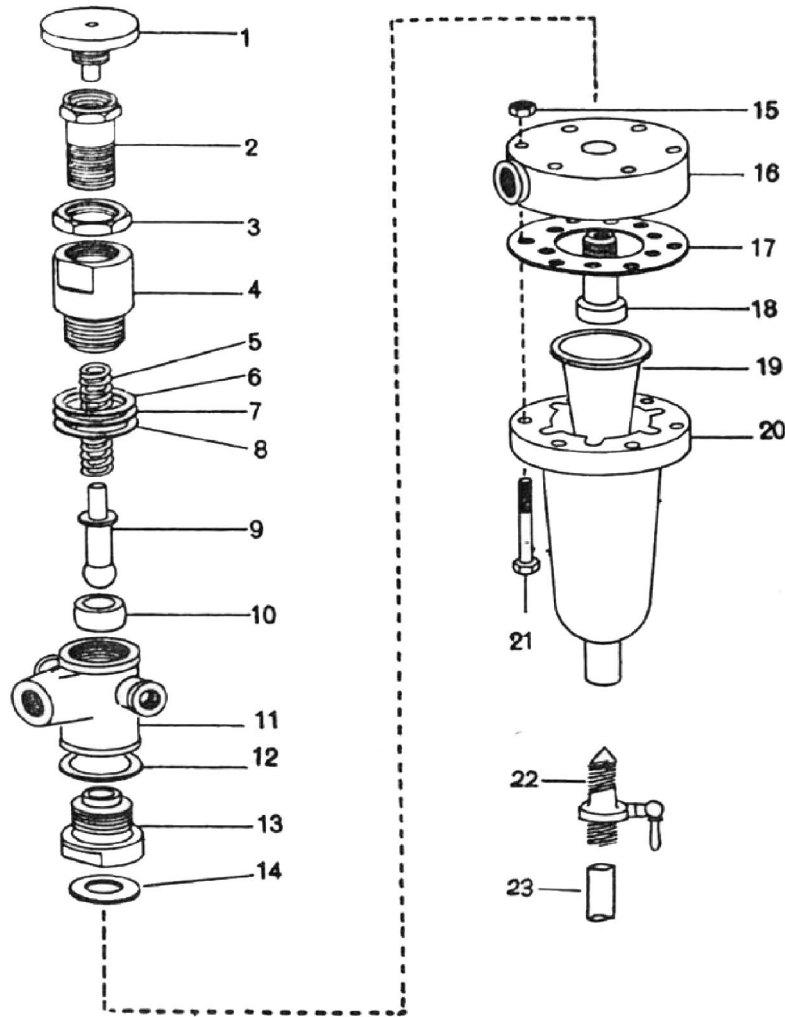


9. Regulating Valve



No.	Description	Ref. Part No.	QTY
–	VALVE, regulating compl.	1011351080	1
1	– Screw for manual unloading	1010526700	1
2	– Adjusting Screw	1010526600	1
3	– Locknut	1010526500	1
4	– Seat, upper	1011349500	1
5	– Spring 2.5/8.5 x 44 mm	1090036700	1
6	– Shim brass	0653724700	2
7	– Shim brass	0653724200	5
8	– Shim brass	0653724100	2
9	– Spring Guide	1011349800	1
10	– Valve Disc.	1011349700	1
11	– Housing	1012024700	1
12	– Copper Washer	0653052500	1
13	– Seat, lower	1011349600	1
–	FILTER, compl.	1011132486	1
14	– Washer	0653905900	1
15	– Nut	0266110800	6
16	– Flange	1011168300	1
17	– Joint	1011132700	1
18	– Tubular Screw	1011132800	1
19	– Air Filter	1012035600	1
20	– Housing	1011132400	1
21	– Bolt	0147125200	6
22	Drain cock	1619198100	1
23	Drain Tube	1614023900	1
–	Valve Regulating Complete with Filter Housing		